



SPECIFICATION SHEET

UMACABLE HIGH QUALITY CAT6 F/UTP PATCH CABLE

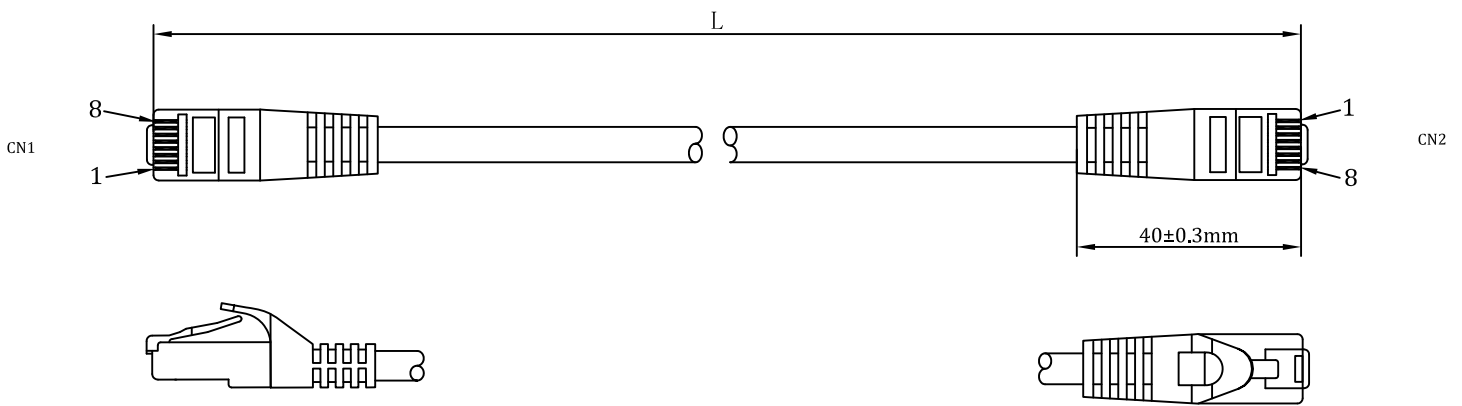
ITEM NO.: UMNW2102



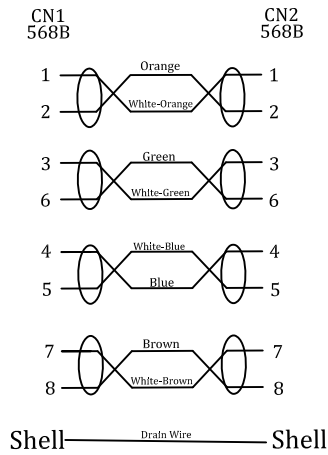
KEY FEATURES :

- High Quality CAT6 F/UTP Shielded Patch Cable
- Al-Foil shielded reduces ingress of EMI/RFI interference to ensure cable performance at high frequency levels
- Meets or exceeds TIA/EIA-568-C.2 and ISO/IEC 11801 Specification
- Provides outstanding transmission performance and low signal losses
- Tested to 500 MHz and support 1000 Base-T Gigabit Ethernet
- A wired Cat 6 patch cable is more reliable and secure than a wireless network for your internet connections
- Lifetime Warranty

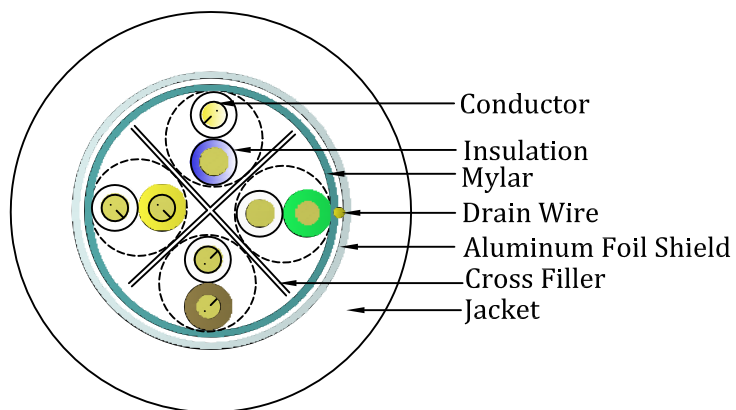
UMACABLE HIGH QUALITY CAT6 F/UTP PATCH CABLE



Diagram



Construction



UMACABLE HIGH QUALITY CAT6 F/UTP PATCH CABLE

Electrical Characteristics:

Conductor DC Resistance:	93.8 Ohm/km (maximum)
Insulation Resistance :	100 Ohm/km (minimum)
Capacitance:	5600pf/100m
Propagation Delay:	545ns/100m (maximum)
Delay Skew:	45ns/100m (maximum)

Physical Characteristics:

Voltage Rating:	30V
Temperature Rating:	80°C
Operating Temperature Range:	-20°C - 80°C
Storage Temperature Range:	-25°C - 85°C
Approvals:	RoHS, CE, UL Compliant

Conductors (4 pairs)

Conductor Type:	26AWG Bare Copper
Insulation:	HDPE
Color:	White-Orange/Orange, White-Green/Green White-Blue/Blue, White-Brown/Brown
Drain Wire:	26AWG Bare Copper
Shield:	Aluminum Foil, 100% Coverage

Overall

Jacket:	PVC, LSZH, LDPE, CMX, CM, CMR, CMP
OD:	6.0±0.2mm

Customized Parameters

Guage:	AWG 28, 26, 24
Length:	1, 2, 3, 5, 10, 20, 30, 50, 75m
Color:	Customized
Package type:	PE bag, Zip bag, Box, Hang card, Blist